



VIPER®

SHOTGUN ENCLOSED MICRO RED DOT

COMPATIBLE SHOTGUNS

MANUFACTURER	MODEL	FASTENER THREAD PITCH
Benelli®	SBE	8-40
	SBE2	
	SBE3 (12g) (3.5")	
	M2 Tactical	
	M4 Tactical	
	M1014	
	Vinci	
Beretta	1301 Comp	M4x.7
	1301 Comp Pro	
	TX4	
	A300	
	A400®	
	1301 Tactical	
Browning®	Maxus® II All Purpose Hunter	M4x.7
Franchi®	Affinity® 3	8-40
	Affinity® 3.5	
Ithaca®	Deerslayer® II	6-48
	Turkey Slayer®	
	Hog Slayer	
Mossberg®	930®	8-40*
	935	
	940®	
	500®	
	535	
	590M®	
	590S®	
	590A1	
	Retrograde Series	
	835®	
	500 Super Bantam	
	510 Mini Super Bantam	
	505 Bantam	
	SA-28	
	SA-20	
SA-410		

*Pre '97 Mossbergs will use 6-48 screws

VORTEXOPTICS.COM

© 2024 Vortex Optics © Registered Trademark and TM Trademark of Vortex Optics





VIPER®

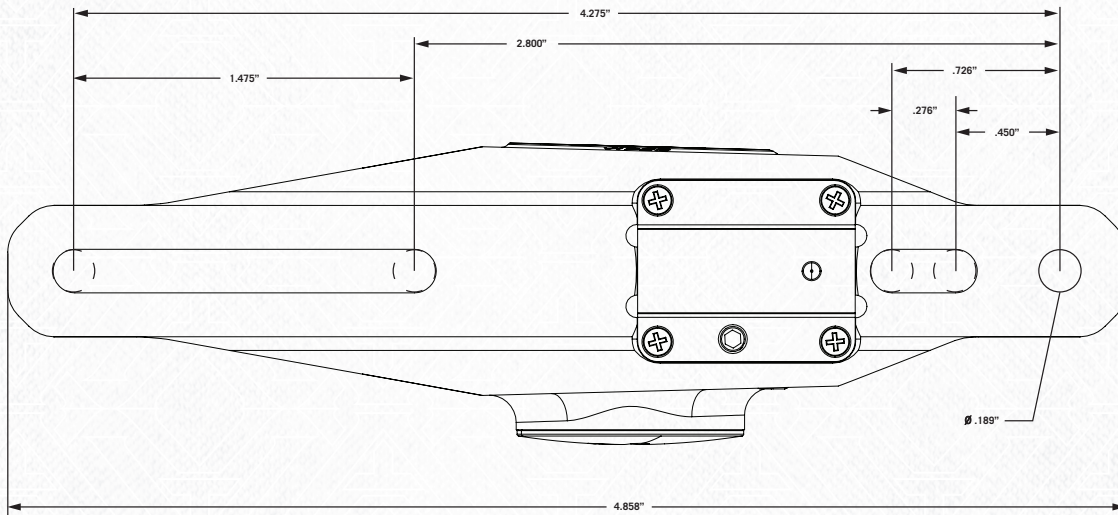
SHOTGUN ENCLOSED MICRO RED DOT

COMPATIBLE SHOTGUNS

MANUFACTURER	MODEL	FASTENER THREAD PITCH
Remington®	Versa Max®	6-48
	870 Fieldmaster®	
	870 (12g)	
Retay®	Mara	M4x.7
Savage®	Renegauge®	8-40
Savage®/Stevens®	320	8-40
Stoeger	M3000*	8-40
	M3500*	
	3020 (Turkey Model)	
Weatherby®	Sorix®	8-40
Winchester®	SXP	6-48
	SX4	8-36

*Pre 1368845 SN use 6-48 screws

Note: This list includes all confirmed compatible shotguns. It is possible that additional shotguns may work with the Viper® Shotgun Enclosed Micro Red Dot. See the footprint below to confirm if your shotgun's screw spacing is compatible.



Note: Must have a drilled and tapped receiver.

VORTEXOPTICS.COM

© 2024 Vortex Optics © Registered Trademark and TM Trademark of Vortex Optics

